

6.1 H-bridge Circuit Diagram

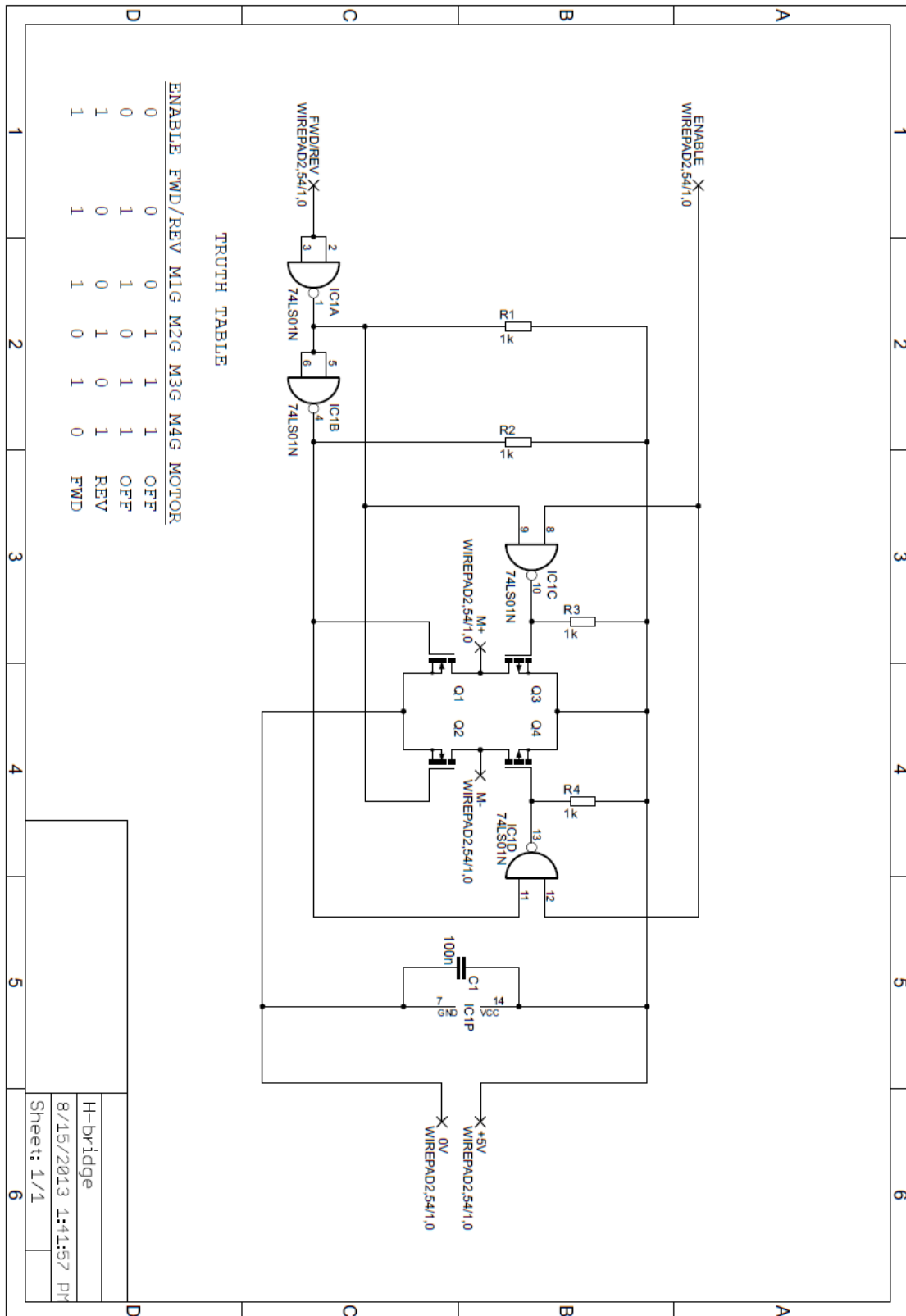


Figure 6.2: H-bridge circuit diagram

6.2 H-bridge PCB Layout

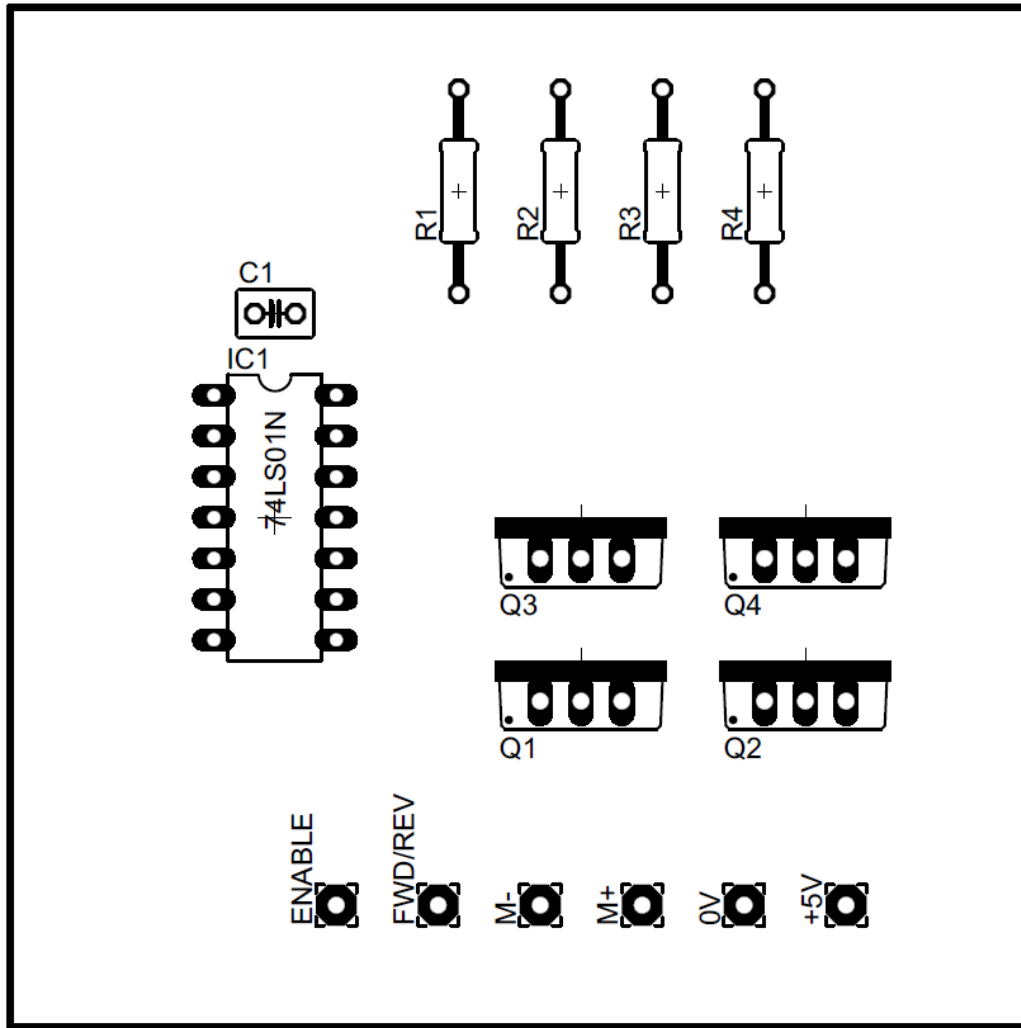


Figure 6.3: H-bridge PCB layout